

NLMCP.V00 LED NAVIGATION LIGHT MANUAL CONTROL PANEL USER MANUAL



CONTENTS

GENERAL FEATURES	2
SETUP	3
TROUBLESHOOTING	6
DIMENSIONS.....	7

GENERAL FEATURES

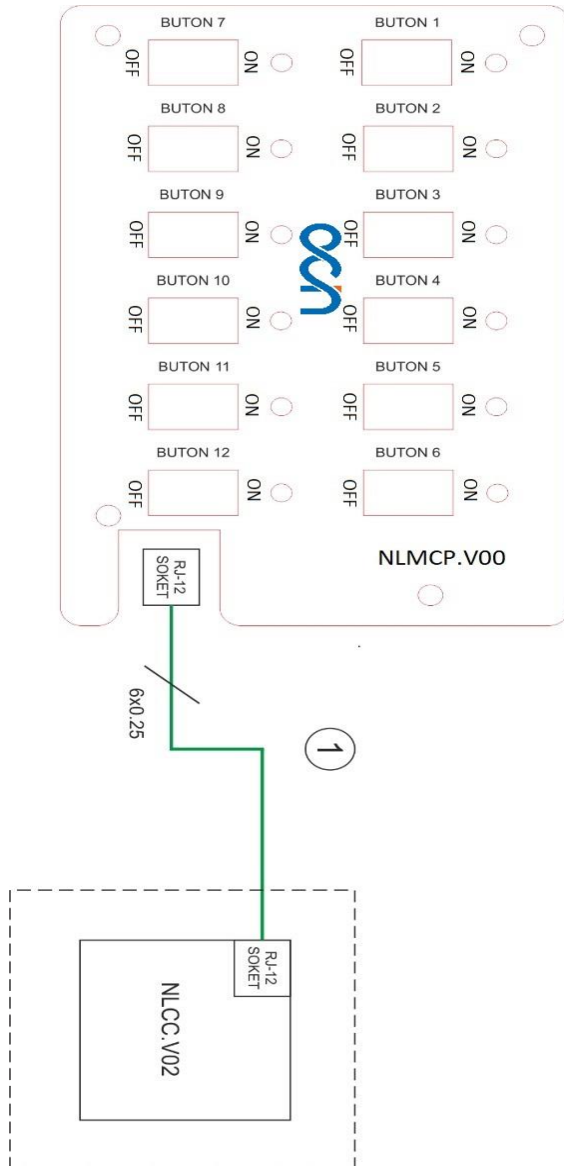
- NLCC.V02 can be used as manual control panel of navigation light control card.
- 12 independent led navigation lights can be controlled.
- The status of each navigation light can be displayed with LEDs.
- 0-1 switch controlled.
- Direct communication with the mainboard.

SETUP

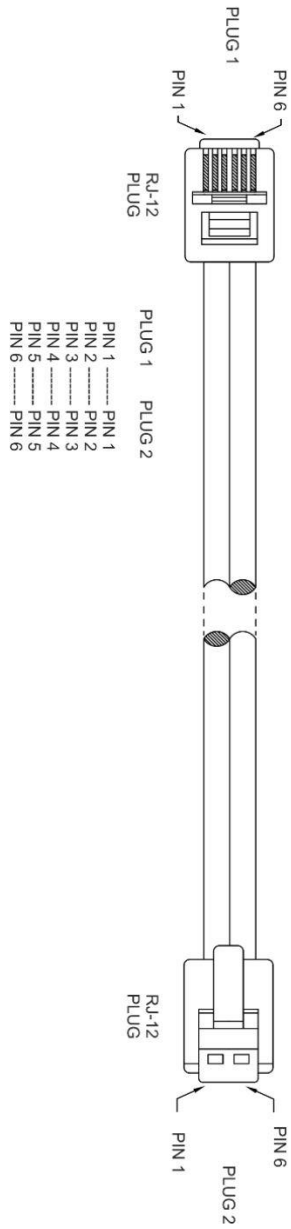
Attention: When connecting any communication cable to the device or changing the DIP Switch position, make sure that the power is disconnected.

- Connect the power cables of NLCC.V02 paying attention to their polarity.
- Connect the navigation lights to the navigation light control card, paying attention to its polarity..
- Connect the navigation light to the manual control panel.

Note: The connection type of the installation is shown in Picture-1 and in the sample connection diagrams.



Picture-1



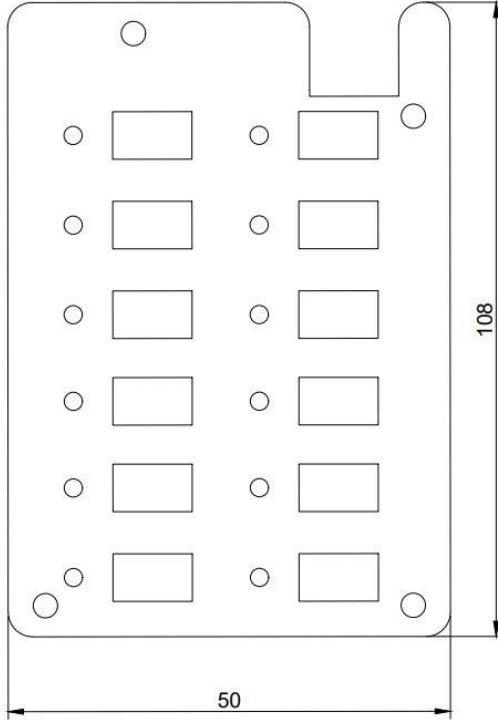
Example Connection Diagram Picture-1

STATUS LEDS ARE INTERMITTENTLY ON(OPEN CIRCUIT):

- The voltage is the same as the supply voltage, and the polarity is correct: The lantern lamp is open circuit or there is disconnection in the connecting wires.
- The voltage is lower than the supply voltage: Disconnect the lantern connection cable,if the voltage reaches the supply voltage, check the lantern lamp and the connection cable.If the voltage remains constant, direct the navigation lighthouse control card to the technical service.
- No voltage: Direct the navigation beacon control card to the technical service.

DIMENSIONS

Üst Görünüm:



Notes;

OCN ELEKTRONİK VE TİCARET A.Ş.

İçmeler Mahallesi Altunay Sokak

No:33 Kat:3 İç Kapı No:11

Tuzla/İSTANBUL

Telefon : +90 (216) 629 29 19

E-Posta : info@ocnelectronic.com

<http://ocnelectronic.com>

www.ocnelectronic.com